



STORAGE CONSIDERATIONS

Store engineered panels with care to avoid damage and take measures to protect the tongue-and-groove joints. Panels should be elevated from the ground, protected from weather and provided with good air circulation to permit acclimatization.

This product is manufactured with natural Western Red Cedar which, like all wood products, can shrink and swell in response to changes in moisture content. Allow siding to acclimatize to the jobsite environment prior to installation.

PRIOR TO INSTALLATION

While Western Red Cedar is naturally durable, a finish should be applied to all wood surfaces, especially to end grain, to provide additional moisture and UV protection.

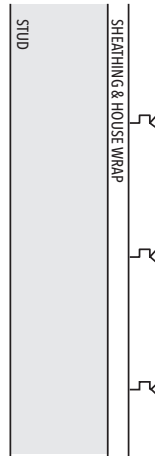
PROFILE OPTIONS

We offer Flush Joint and Micro V Joint profiles, as well as special orders for custom profiles.

*For full specifications for 1x4 panelling, see Table 1
For full specifications for 1x6 panelling, see Table 2*

FASTENERS

Use hot dipped galvanized, aluminum or stainless steel nails. Stainless steel nails are highly recommended. Hand nailing, using “splitless” ring shank siding nails is best. Drive nails flush. Fill overdriven nails with exterior-grade wood putty. If fastening to sheathing, nail 12” on center. If fastening to studs, nail 16” on center.



EXTERIOR WALL CONSTRUCTION

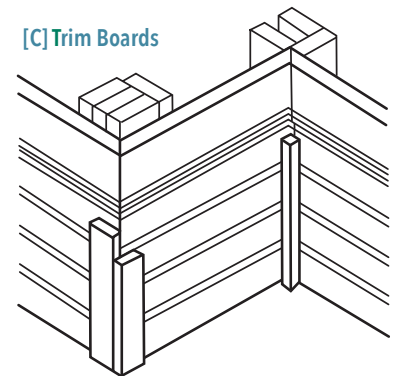
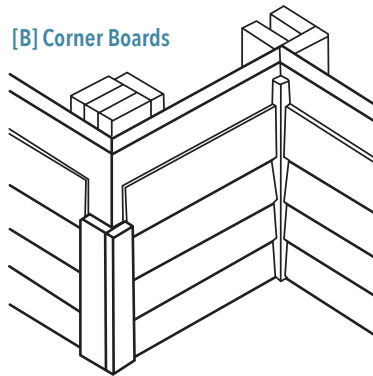
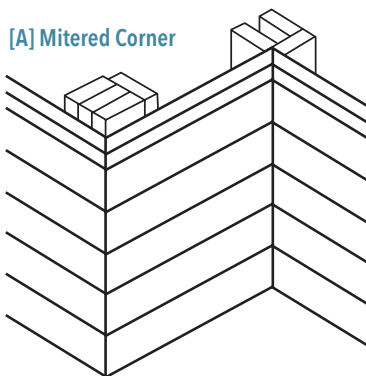
Rainscreen wall construction is recommended and many building codes require it. 3/8” furring strips should be installed directly over studs. Furring strips are required when installing the material over rigid foam sheathing to prevent moisture accumulation on the back of the panels and to provide a suitable nailing base. Ensure that housewrap and all 3rd party materials are installed to manufacturer instructions and that all exterior envelope construction complies with local building code requirements.

INSTALLATION

Tongue and groove panelling can be installed horizontally or vertically.

When installing tongue and groove panelling horizontally, start at bottom and work up, with groove edges facing downwards.

For field joints, use either butt joints or cut ends at 45 degree angles to form an overlapping joint. Ensure joints meet on studs, blocking or furring strips. **ALWAYS ENSURE THAT END GRAIN IS COATED WITH A MOISTURE RESISTANT FINISH!**



CORNERS

Corners can be finished in two ways:

Mitered corners [A] are often used with horizontally applied panels. Corners should fit tightly for the full depth of the miter.

Depending on the thickness of the panelling and furring strips, 3/4" or 1/1/4" corner boards are common.

Apply corner boards over top of the siding [C] or next to the siding [B].

TABLE 1: SPECIFICATIONS 1x4"

LENGTH PER PIECE IN FEET	WIDTH/ NOMINAL	WIDTH/ FACE COVERAGE	THICKNESS	BUNDLE QUANTITY	BUNDLES IN LIFT PKG	PIECES IN LIFT PKG	SQ. FT PER BUNDLE	SQ. FT PER LIFT PKG	BUNDLE COVERAGE PER SQ. Ft(1)	BUNDLE WEIGHT IN lbs	LIFT PKG IN lbs	WEIGHT PER SQ. FT	WEIGHT PER MSF
8	97mm(3.8")	88mm(3.5")	15mm(5/8")	6	66	396	16	1056	14,000	25	1650	1.5625	1562.5
10	97mm(3.8")	88mm(3.5")	15mm(5/8")	6	66	396	20	1320	17,500	31.25	2063	1.5625	1562.5
12	97mm(3.8")	88mm(3.5")	15mm(5/8")	6	66	396	24	1584	21,000	37.5	2475	1.5625	1562.5
14	97mm(3.8")	88mm(3.5")	15mm(5/8")	6	66	396	28	1848	24,500	43.75	2888	1.5625	1562.5
16	97mm(3.8")	88mm(3.5")	15mm(5/8")	6	66	396	32	2112	28,000	50	3300	1.5625	1562.5

TABLE 1: SPECIFICATIONS 1x6"

LENGTH PER PIECE IN FEET	WIDTH/ NOMINAL	WIDTH/ FACE COVERAGE	THICKNESS	BUNDLE QUANTITY	BUNDLES IN LIFT PKG	PIECES IN LIFT PKG	SQ. FT PER BUNDLE	SQ. FT PER LIFT PKG	BUNDLE COVERAGE PER SQ. Ft(1)	BUNDLE WEIGHT IN lbs	LIFT PKG IN lbs	WEIGHT PER SQ. FT	WEIGHT PER MSF
8	139mm(5.5")	127mm(5")	15mm(5/8")	6	48	288	24	1152	20,000	37.5	1800	1.5625	1562.5
10	139mm(5.5")	127mm(5")	15mm(5/8")	6	48	288	30	1440	25,000	46.875	2250	1.5625	1562.5
12	139mm(5.5")	127mm(5")	15mm(5/8")	6	48	288	36	1728	30,000	56.25	2700	1.5625	1562.5
14	139mm(5.5")	127mm(5")	15mm(5/8")	6	48	288	42	2016	35,000	65.625	3150	1.5625	1562.5
16	139mm(5.5")	127mm(5")	15mm(5/8")	6	48	288	48	2304	40,000	75	3600	1.5625	1562.5

REACH US AT

INFO@PANELTEKPRODUCTS.COM

#13-8380 NO.2 RD., RICHMOND BC CANADA, V7C 3M3