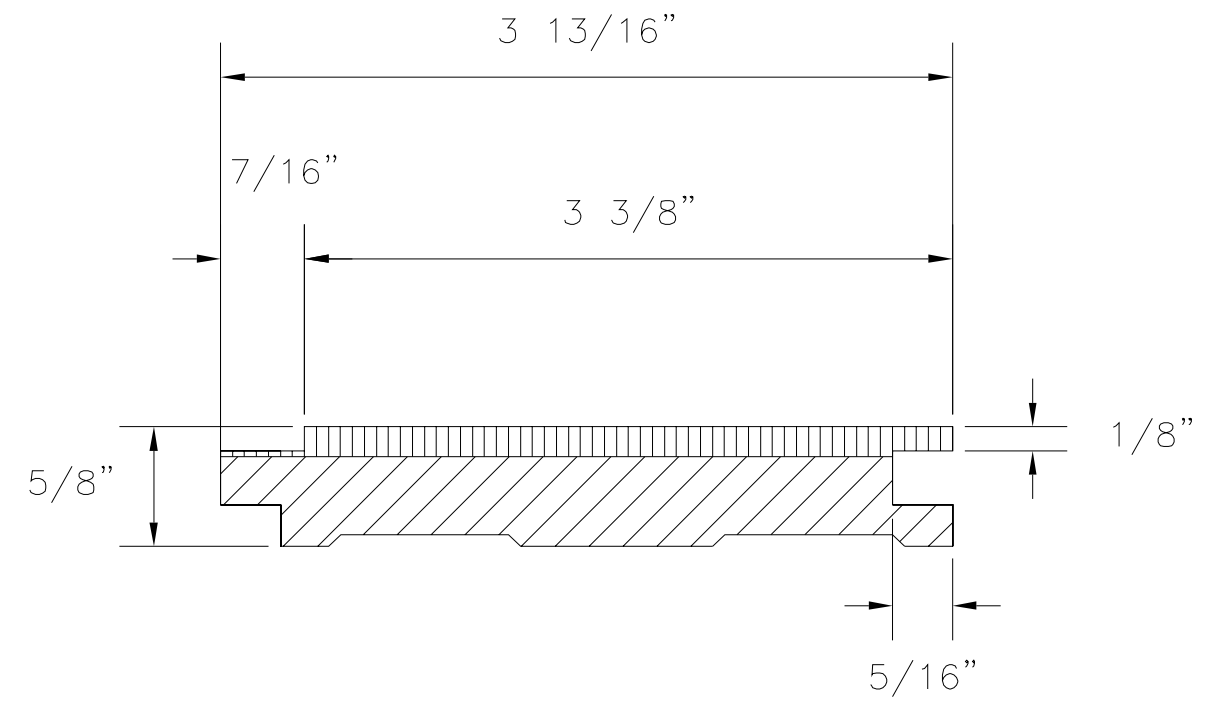
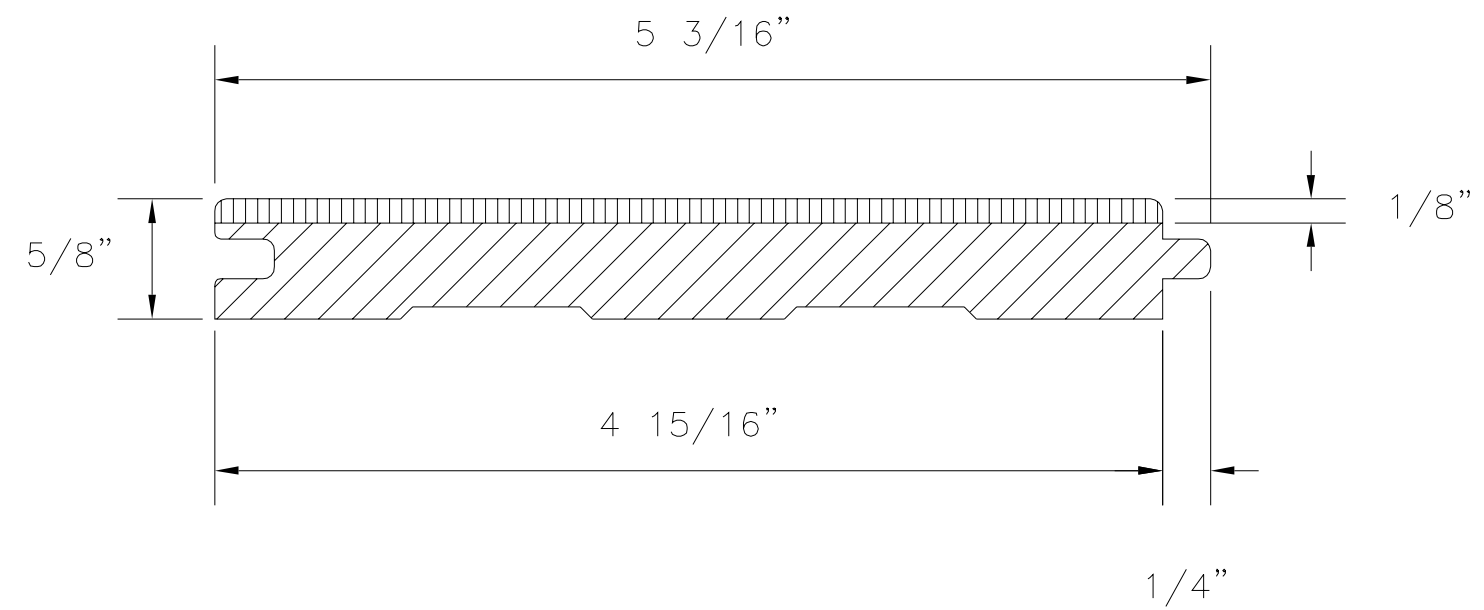


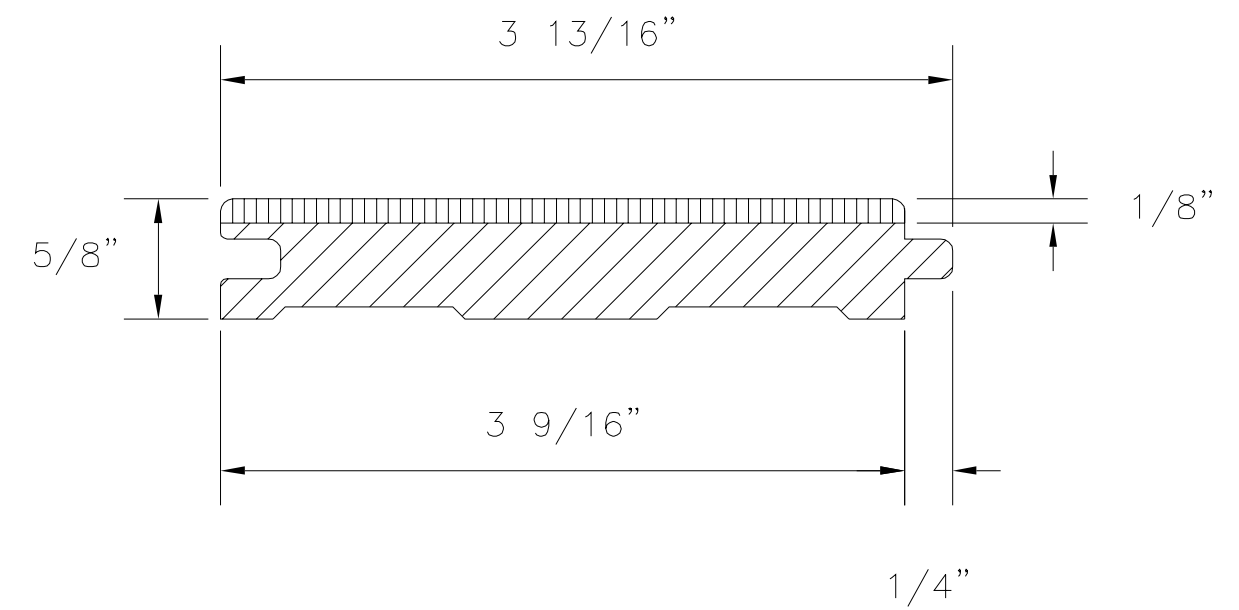
1x6 ENGINEERED TONGUE AND GROOVE / FLUSH JOINT



1x4 ENGINEERED TONGUE AND GROOVE / FLUSH JOINT



1x6 ENGINEERED TONGUE AND GROOVE / MICRO-V



1x4 ENGINEERED TONGUE AND GROOVE / MICRO-V