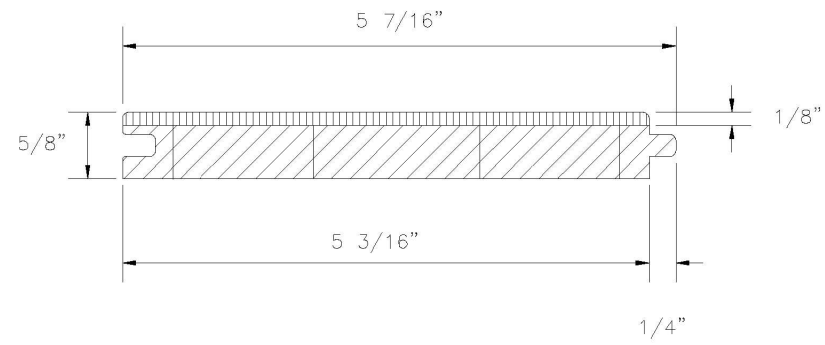
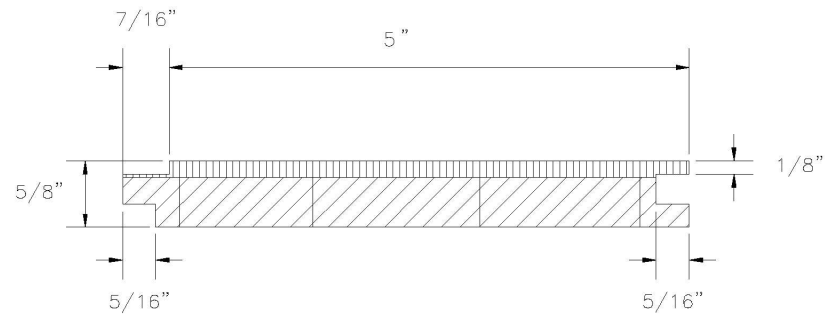


1x6 ENGINEERED TONGUE AND GROOVE / FINELINE



1x6 ENGINEERED TONGUE AND GROOVE / MICRO-V